



## **Watertown City Council**

### **Committee on Parks and Recreation**

**Councilor Palomba, Chair, Councilor Feltner, Vice Chair, Councilor Bays, Secretary**

**Committee Report for February 13, 2025**

**Presented at City Council Meeting March 11, 2025**

Attendees: Anthony Palomba, Chair, Lisa J. Feltner, Vice Chair and Caroline Bays, Secretary, Ernie Thebado, Recreation Director, Jon Kazanian, Asst. Recreation Director, Peter Centola, Ann Cox, Dan Grossman, Councilor Piccirilli, and by Zoom, Joan Gumbleton, Elodia Thomas, and David Stokes

Councilor Palomba called the meeting to order at 5:06 pm

Councilor Palomba stated that the purpose of the meeting was to review when lights were in use at the city parks and how they function, to learn more about the type of lights that are used and who operates them, to gather information about the cost of having lights on, and to discuss what options there are to reduce the costs. This meeting was called, in part, to response to residents' complaints about the policy to keep the stadium lights on until 10:00 pm at Victory Field stadium, particularly when nobody was on the field.

A number of residents complained that the lights at Victory Field are very bright and are left on until very late hours and most of the time the field is empty. Residents had questions about how late the lights were left on at Victory Field and how much it cost to keep the lights on so late. Resident Dan Grossman spoke extensively about what the cost might be given his estimate of the type of light used and the required wattage and compared these estimates to what it costs to light an average residence. Councilor Piccirilli agreed that this has been an ongoing problem and commented that the Victory Field stadium lights are particularly bright since they were installed to allow for night time filming of games. He asked that some reasonable guidelines be put in place.

Peter Centola agreed that it is important to find out the cost and to monitor the lights and he felt that there should be an automatic shutoff mechanism in all our parks, but that is not possible with the current Musco halogen lights. This would require upgrading the Victory Field and Casey Park lights to LED's. But he felt the lights should remain on until 10:00 pm because there is no other place for people to exercise at night and added that Parks and Recreation staff can control the Victory Field lights from their phones.

Councilor Feltner asked for clarity about what hours lights were on in the various parks. Mr. Thebado passed out a sheet with the on/off light times for all the parks (see attached). He explained that the plan is to eventually replace all halogen lights with LED lights and this will allow residents to have more control of the lights. In particular, LED lights at the Victory Field stadium would allow for a number of zones where lights can be turned on or off, as well as the ability to dim the lights.

The Committee and several residents suggested possible solutions. Suggestions included: installing an on/off switch at the Victory Field stadium, creating a system to have residents request to have lights turned on by staff, dimming the lights, using another smaller, less brightly lit field for free play, and redirecting people to the BB&N field after hours.

Staff explained that the halogen lights at Victory and Casey parks do not have automatic timing and shut on/off capability by the public. They felt a system where staff was on call to turn on and off the lights when residents requested use of the field were unfeasible. It is impossible for a resident to dim the lights at Victory Field stadium; however there are two zones that allow for each zone to be on or off. Mr. Thebado explained that the reason they use Victory Field for free play is because the stadium has artificial turf and residents are less likely to damage it then they are a grass field.

Councilor Palomba supported purchasing the LED lights now instead of waiting for the full implementation of Victory 3 renovations. The estimated cost to do this is \$500,000. He expressed hope that Administration would consider this and pointed out that if we had done this sooner we would solve a number of the problems raised by residents.

Mr. Thebado agreed to investigate the following options:

1. Redirecting people to the BB&N field from December 1st to April 1<sup>st</sup>.
2. Requiring people to request time for free play at the Victory Field stadium in advance.
3. Turning lights only on one of the two zones in the Victory Field stadium at night.
4. Changing/reducing the hours of operation that the lights are on at the Victory Field stadium particularly during low demand times such as from December 1st to April 1st.

In addition he agreed to investigate the usage and cost of having the lights on at the Victory Field stadium until 10:00 pm and also investigate whether LED lights might be easier for residents to control.

The Committee voted to continue the meeting and Mr. Thebado will meet with the Committee in one month with answers and information on the topics listed above. Councilor Palomba suggested that it might be helpful to have a representative from Musco attend a future meeting to provide more details on the benefits of LED lighting and their costs.

The meeting was adjourned at 7:00 pm by unanimous vote.

The minutes were prepared by Councilor Bays

# TLC *for* LED<sup>®</sup>

Total Light Control<sup>™</sup>



  
We Make It Happen<sup>®</sup>

# Keeping Good Lighting Affordable

With the emergence of LED sports lighting, facility owners are discovering that different manufacturers produce vastly different results.

The LED light source has distinctive challenges and advantages. To realize the full potential of LED lighting, it takes experience and a proven system for controlling and applying the unique characteristics of the diode in a sports setting.

With Musco's more than 45 years of experience—and over a decade of researching LED—our Team has looked at the combination of issues to achieve the best solution to meet your needs from structures, to quality of on-field light, to off-site impact, to energy and costs.

The result is a system that makes Musco's great lighting even better.

## ***Better for players...***

who want to perform their best and be able to track the entire flight of the ball.

## ***Better for fans...***

who want to see the game better and enjoy world-class light shows watching preps or the pros.

## ***Better for neighbors...***

who won't have light spill or glare in their homes or lights left on when not in use.

## ***Better for the night sky...***

with more light directed onto the field and less spilling above it.

## ***Better for your budget...***

an affordable system that's built to last and control operating costs.

***And you won't have to worry about maintenance costs for up to 25 years.***

# Control

from foundation to poletop...

from the light source to the field,  
preserving the night sky...

assuring the results you expect,  
day 1... year 1... and for 25 years.



# A Unique System Design

## *5 Easy Pieces™ complete from foundation to poletop.*

While other manufacturers produce single light fixtures, our system approach delivers better long-term reliability and trouble-free operation.

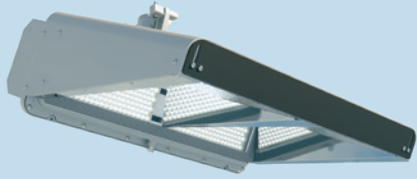
Whether it's Light-Structure System™ complete from foundation to poletop, or SportsCluster® System retrofitted to existing structures, we include lighting, structural, and electrical components designed to work together.

Our system provides a more protective environment for the LED's sensitive electronics, integrated grounding, surge protection, and remote drivers so servicing can be done from a step ladder, not a lift.

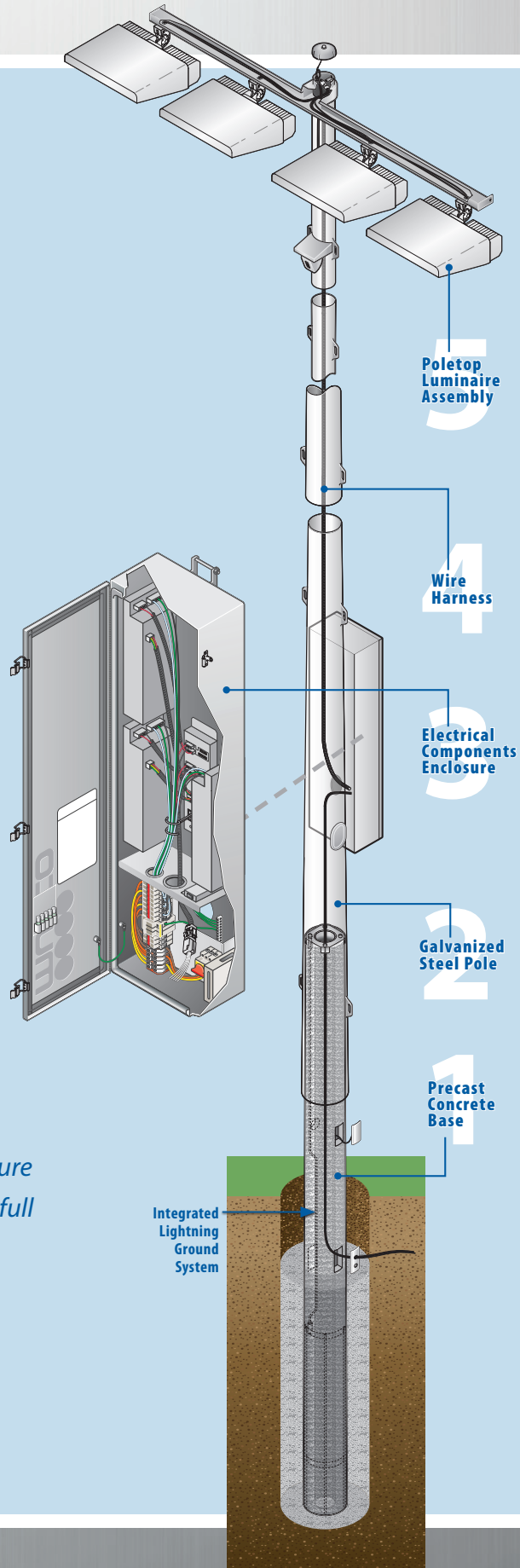
## *And we guarantee its performance for up to 25 years.*



**Control**  
from the foundation to the poletop.



**TLC for LED<sup>®</sup>**  
Total Light Control™



*“Advancements in all aspects of fixture design are critical to achieving the full performance of LED technology.”*

— U.S. Department of Energy  
[www.energy.gov/eere/ssl/led-basics](http://www.energy.gov/eere/ssl/led-basics)

# A Better Night Game Experience

The key issues in sports lighting haven't changed—how do you put more light onto the field, spill less around it, protect the night sky, reduce glare, and ensure it performs when needed and withstands the elements.

Our TLC for LED® system delivers highly-controlled downward light from the poletop, along with precisely-targeted upward light from our BallTracker® luminaires. Together, this patented system illuminates the underside of a ball in flight, creates better contrast against the dark night sky, and creates unparalleled cut-off, preventing spill and glare from affecting the surrounding area.

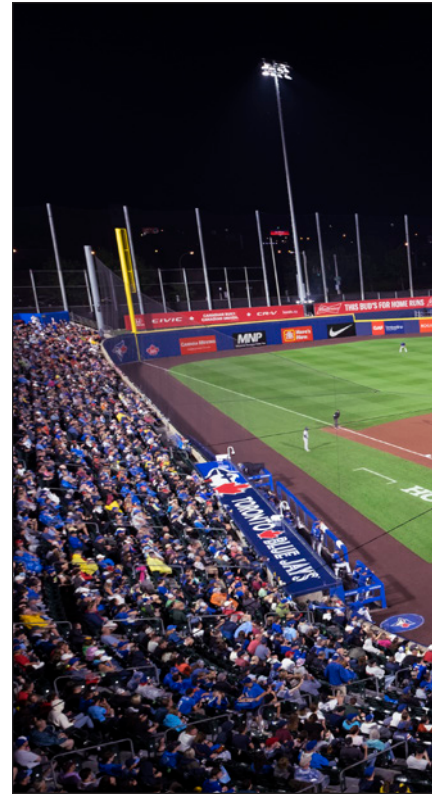
And for an enhanced entertainment experience, Musco's strategically located color-changing luminaires and innovative light-to-sound synchronization capabilities create Big League light shows for players and fans at fields of all sizes.

***This is why, when you walk onto a field lighted by Musco, it just looks better.***

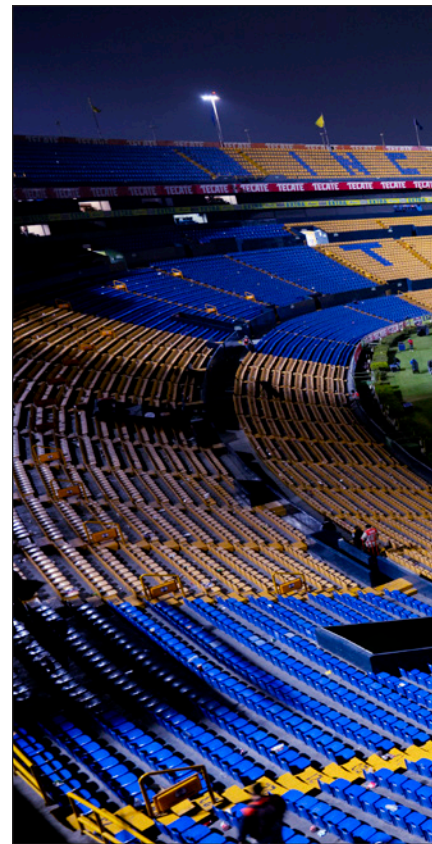
*"Now you can actually see the seams of the baseball coming in at you, and you can pick up spin easier. BallTracker is really important because when the ball gets up into the air it keeps the ball white against the dark sky. So it helps a lot."*

— Nate Esposito, Wilmington Blue Rocks (MiLB)

**Control** from the light source to the field.



Sahlen Field - Buffalo, New York, USA



Estadio Tigres - Nuevo Leon, Mexico



With patented BallTracker® technology, players enjoy quality lighting, no glare, and better ability to track the entire flight of the ball.



Pinpoint control from 1,100 feet away highlights the target area while preserving surrounding darkness.



Event lighting with dimming saves energy for high-usage, multi-use venues.



Show-Light® theatrics and special effects enhance fan and TV experience.

Mount Rushmore - Keystone, South Dakota, USA

University of Notre Dame - Notre Dame, Indiana, USA

# A Solution Neighbors Will Love

Emitting light is easy, controlling it isn't. At Musco, we care as much about preserving darkness around your field as we do putting high-quality lighting onto it.

Our system's custom optics, designed around the LEDs, control and apply the light precisely where it's needed. And our patented fixture visoring greatly reduces glare at the light source.

This means no spill light or disruptive glare affecting neighboring homes, and the preservation of dark skies above. It's why our system could be installed at a large, multi-field sports complex located in close proximity to an international airport.

***Our light control capabilities have made lighting possible at fields where, previously, it wasn't allowed due to community concerns.***

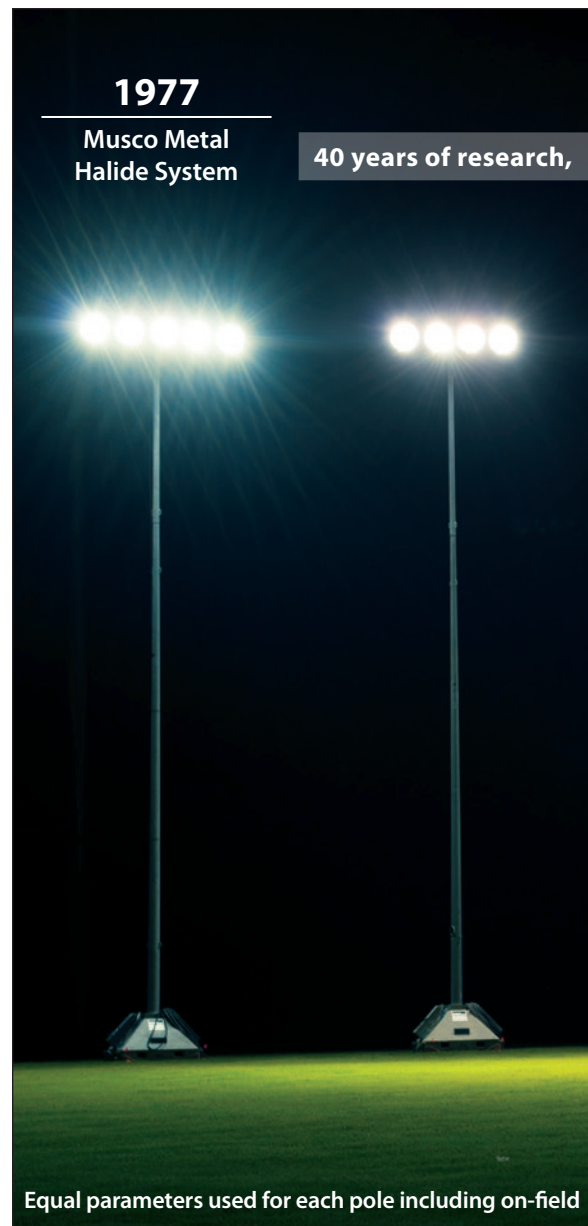
**Control**  
preserving the night sky.

*"Glyndon Park is in a naturally wooded residential area. We didn't want to illuminate the homes of neighbors in the area. I initially wasn't supportive of putting in traditional lights. The product Musco has developed allows us to light this field, yet light nothing else around it."*

— Parks and Recreation Director, Vienna, VA



Glyndon Park Little League, Vienna, Virginia, USA



Equal parameters used for each pole including on-field

increasing efficiency and minimizing environmental impact.

### Today

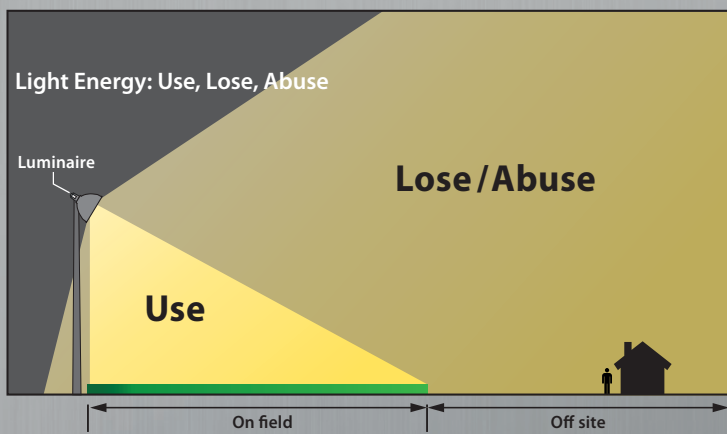
Musco LED System

### Today

Other Luminaire Manufacturer LED



light produced, wattage, height, and aiming angle.



# A Field That's Always Ready for Play

With the remote facility management of Musco's Control-Link® service, your field will always have light when it's needed.

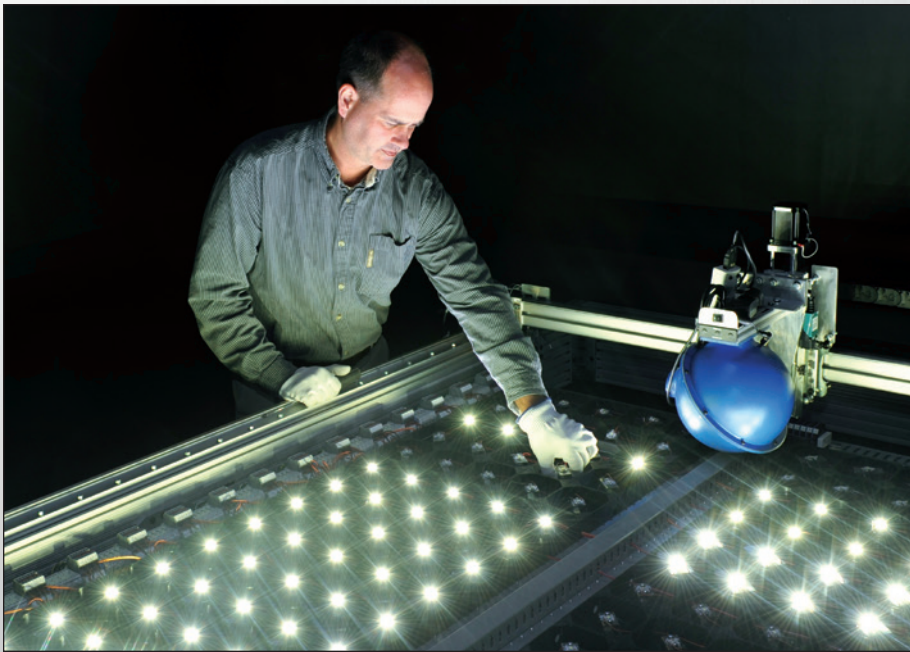
You'll be able to instantly turn your lights on or off from anywhere, with the touch of a smart phone. Our Team at Control-Link Central™ will be there for you 24/7 to provide scheduling and monitoring support.

In fact, if a problem arises we'll likely know about it before you do, right down to the fixture. Here's a look at the service we provided customers in just the past year:

- *Turned lights on/off remotely for more than 7.6 million events.*
- *Conducted routine inspections and maintenance at over 11,000 fields.*
- *Helped with scheduling and answered questions on over 297,000 calls, over 981,000 app sessions, and 1.3 million web site log-ins.*
- *Traveled enough miles servicing fields to circle the equator 24 times.*

And with our 25-year parts and labor warranty, you'll have peace of mind for the next 9,125 days knowing that you'll pay zero maintenance costs, won't have headaches over staffing and managing your lights, and will be free from neighbors complaining about lights being left on.

**Control** assuring the results you expect.



Our R&D, customization, and application capabilities deliver solutions specific to each customer's needs.

*"Musco called to let us know there was an issue before we knew we had a problem."*

— Stephen Cooke, CPRP, CYSA  
Greenville County Recreation Athletics Manager, Taylors, SC



Our regionally-based technicians provide prompt service for 25 years.

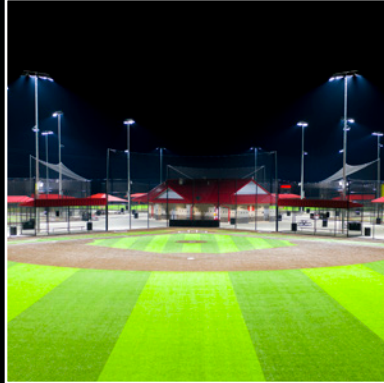


Our Control-Link service provides 24/7 proactive monitoring and the support of a fully staffed call center.



Musco's Light-Structure System™ performs in real world conditions **for 25 years, guaranteed.**

**We Make It Happen.®**



# Control

from foundation to poletop...

from the light source to the field,  
preserving the night sky...

assuring the results you expect,  
day 1...year 1... and for 25 years.



**We Make It Happen.**

[www.musco.com](http://www.musco.com)

e-mail: [lighting@musco.com](mailto:lighting@musco.com)

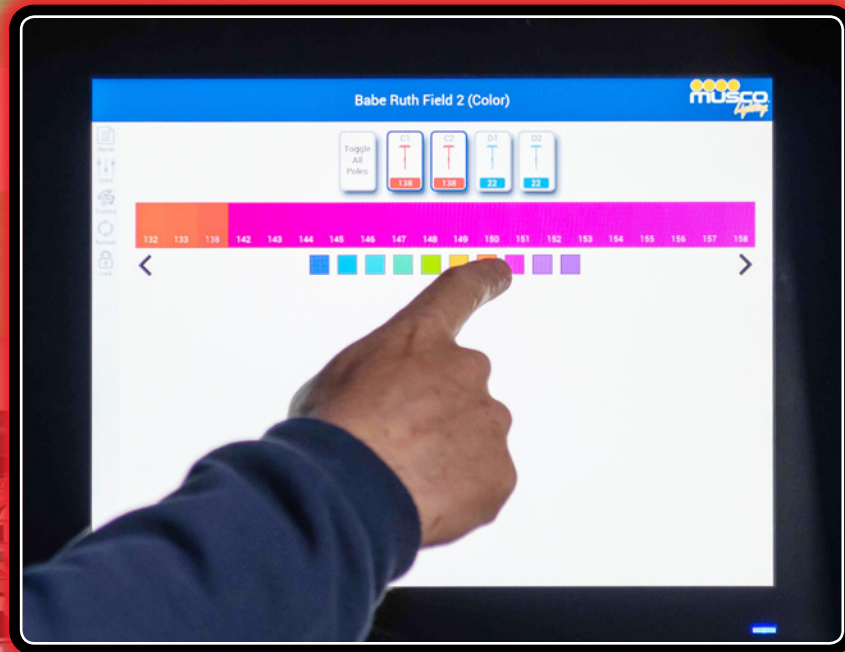
Phone: 800.825.6030

# Musco Control Solutions

24/7/365 monitoring and support

Control-Link® control and monitoring system

Show-Light™ entertainment features



# Making Facility Management Easy Since 1999

The most innovative solutions are developed in response to real-world problems. In 1999 Musco introduced Control-Link® as a first-of-its-kind light management system to help customers who were getting calls from neighbors at 2 a.m. about lights left on, to help cut energy costs, and save staff time.

Since that first introduction, Musco has installed thousands of control systems from fully automated unmanned recreational sites to complex theatrical solutions for many of the largest stadiums in the world.

**Anytime, Anywhere ...**Control-Link management tools allow you to access and manage your lights instantly, from anywhere via a cellular internet connection.

**A Real, Live Voice ...**Control-Link Central™ team will monitor, schedule, and help manage your lights 24/7/365, and a real live voice will be on the other end of the phone when you call.

**Factory Wired, Programmed, and Tested ...**our unique system approach streamlines installation and assures that your controls, from basic on/off to professional level light shows, will be ready to work on day one.



**5.8 million**

schedules managed  
and monitored by our  
Control-Link Central™  
Team last year



**360,000**

calls fielded to assist  
customers last year

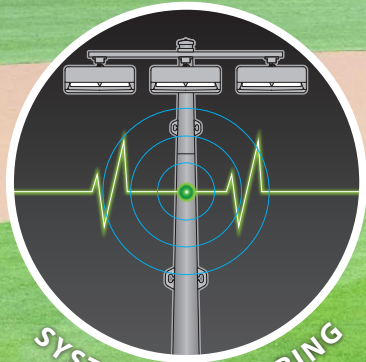
## How can controls enhance your facility?



REMOTE ON/OFF SCHEDULING



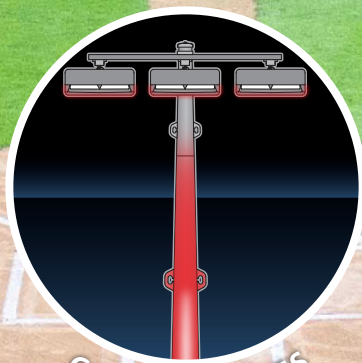
DIMMING



SYSTEM MONITORING



PREDESIGNED LIGHT SHOWS



COLOR ACCENTS



CUSTOM LIGHT SHOWS

Control-Link

- Remote on/off scheduling**  
for easy control from anywhere
- Dimming** (3 levels)  
saves energy for practice and other activities
- System monitoring**  
alerts Musco of any issues

Show-Light™

- Predesigned light shows**  
adds excitement to events
- Color accents**  
highlight poles and other structures

Show-Light+™

- Custom-choreographed light shows**  
precisely timed to music

# Flexible Control, Solid Management

Your Control-Link® control and monitoring system offers efficient, cost-effective tools that are both cutting-edge and simple to use.

Musco will have your back 24/7/365 to ensure your lights are only on when needed, keeping neighbors and taxpayers happy. Because more than anything, it's about your peace of mind.

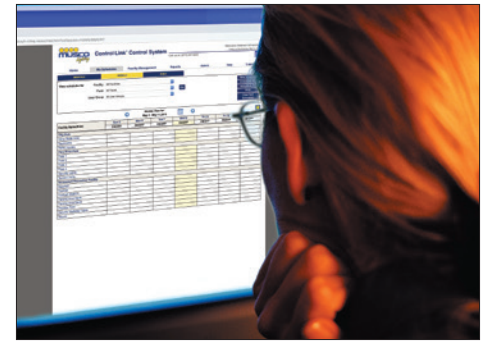
The Control-Link system provides comprehensive scheduling assistance, system monitoring, secure password-protected access, automated equipment controls, and valuable usage data.

**Flexible and Reliable . . .** remote scheduling and controls mean no more staffing headaches, tracking multiple sets of keys, or late-night hours having to be on-site to turn your lights off.

**24/7/365 Monitoring . . .** our Team will monitor your system's performance at the luminaire level, so if an issue arises we'll likely know about it before you do.

**Better for Your Budget . . .** automated operation of your lights, as well as three levels of dimming that come standard, will reduce energy consumption and cut staffing costs.

**Data You Can Use . . .** we'll help create usage reports and analytics for your facilities from the extensive data we store, which will help improve operational efficiencies and future planning.



Enter schedules up to 10 years in advance.

**Musco Control-Link® Control System** Sample Owner  
Today is Wednesday, August 7, 2019  
Call us at: (877) 347-3319

Home My Schedules Facility Management Reports Admin Help Logout

**DASHBOARD SERVICES**

Owner: Mahaska Comm. Rec. Foundation  
 Facility: Lacey Park Ballfields  
 Field: All Fields

	July 2019	YTD (Jul. 2019)
Energy Used KWh:	519	12,847
Service Visits:	0	0
Schedules:	171	1,333
Phone Calls to CLC:	16	90
Web Logins:	2	13

All Facilities for Mahaska Comm. Rec. Foundation - All Fields for Lacey Park Ballfields

FIELD	MONITORING SERVICES		MAINTENANCE SERVICES					
	Lamp Outages	Controls	Switch Position Auto/Manual	Lamp Life	Relamps Completed	Musco Warranty Program	Warranty Start Date	Estimated Warranty Expire Date
SB BB Field 24LED*	Green	Green	Auto	645 hrs used	0 of 1	Constant 25	03/28/2017	03/28/2042
SB BB Field 34.5G	Green	Green	Auto	1896 used	3184 remain	0 of 1	Constant 25	05/04/2006 05/04/2031
SB BB Field 44.5G	Green	Green	Auto	1645 used	3255 remain	0 of 1	Constant 25	05/04/2006 05/04/2031
SB BB Field 54.5G	Green	Green	Auto	1805 used	3195 remain	0 of 1	Constant 25	05/04/2006 05/04/2031

\* Not included in energy usage calculations.  
 \* Lamp Outages: Green = No Lamp Outages, Yellow = Lamp Outage Detected, No Monitoring = System has On/Off controls, but not Lamp Monitoring Capability.  
 \* Controls: Green = All Control Systems are OK, Yellow = Control System Visual Detected.

Dashboard tracking allows you to see the operation and service status of your fields.

**Musco Control-Link Usage Report (Auto Only)**  
 By Facility, Field  
 Usage Type of Light Usage  
 June, 2019

Summary by Facility		
Facility	Total Auto Hours Usage	Total Hours Saved from Early Offs
Cowley	112:50	17:08
Dunbar	64:53	29:46
Garland Parklet	49:48	0:00
Herschel Field	256:47	26:05
<b>Total:</b>	<b>484:18</b>	<b>72:59</b>

Summary by Facility, Field			
Facility	Field	Total Auto Hours Usage	Total Hours Saved from Early Offs
Cowley	Baseball	63:04	17:08
Cowley	Basketball	49:46	0:00

Control-Link Central database stores usage data by field and user group.

*"In the past, a light could've gone out and our guys wouldn't see it for two to three weeks or until a whole pole went dark. Now if one light goes out we get an e-mail notice immediately from Musco's Control-Link Central."*

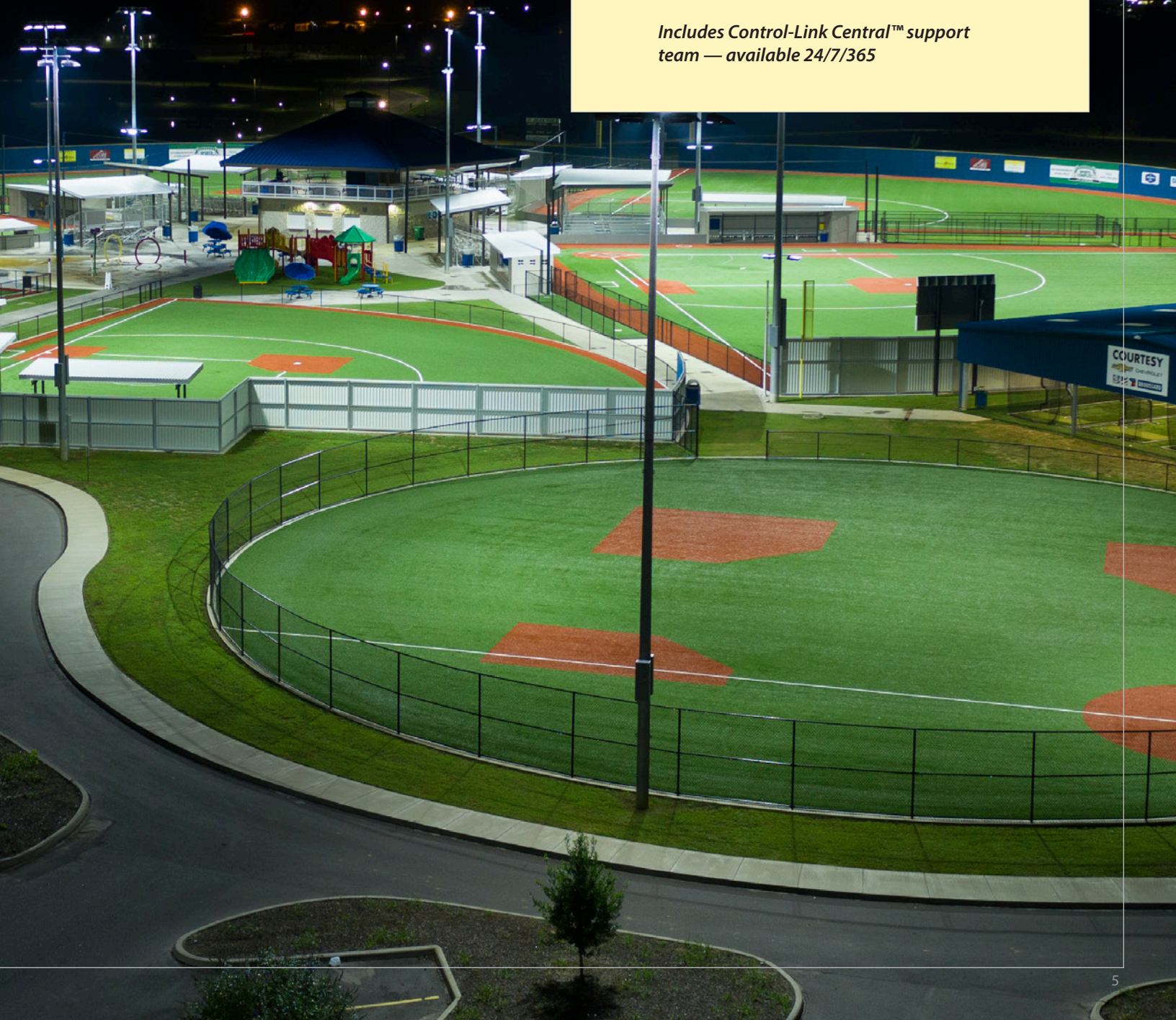
– Chuck Vones, Parks and Recreation Director  
 Pembroke Pines, Florida

# Control-Link® Control and Monitoring System

- ✓ **Remote on/off scheduling**  
for easy control from anywhere
- ✓ **Dimming (3 levels)**  
saves energy for practice  
and other activities
- ✓ **System monitoring**  
alerts Musco of any issues

*Includes Musco's management tools —  
user securities, usage tracking,  
facility status dashboard, and reports*

*Includes Control-Link Central™ support  
team — available 24/7/365*



# Big Time Light Shows at Hometown Fields

Our Show-Light™ entertainment package provides a cost-effective way for you to bring professional light shows to your facility. From pre-game introductions, to halftime shows, to celebrating big plays and big wins, this special effects lighting will energize players and fans and take your game atmosphere to a new level.

Special effects light shows aren't just for the pros anymore.

Musco's Show-Light technology utilizes instant on/off and the advanced control capabilities of LED, is easy to use, and delivers both predesigned and customized light shows.

**Set the Scene . . .** you'll get preprogrammed light shows that will set the scene and excite players and fans through the entire game night experience.

**Plenty of Options . . .** you can choose from Musco's library of light shows or work with our design engineers to create customized shows and scenes.

**As Easy as a Touchscreen . . .** you'll be provided an industrial grade 15-inch smart device with touchscreen to start and stop shows, select dimming levels, and adjust accent colors.

**Reliable and Versatile . . .** your light shows will be stored on site and backed up at Control-Link Central™ data center.



Choose from over 100 color options to show your team color, highlight special events, or enhance light shows.

*"The people Musco has answering the phones and adjusting the schedule are the most friendly and accommodating of any phone service I have ever called. They are always extremely friendly and professional, the service could not be better."*

– Mark Buggins, Head Baseball Coach (retired)  
Sitka High School



# Show·Light™ Entertainment Package

- ✓ **Remote on/off scheduling**  
for easy control from anywhere
- ✓ **Dimming (3 levels)**  
saves energy for practice and  
other activities
- ✓ **System monitoring**  
alerts Musco of any issues
- ✓ **Predesigned light shows**  
add excitement to events
- ✓ **Color accents**  
highlight poles and other structures

*Includes industrial grade touchscreen  
tablet for easy control*

*Includes Control-Link Central™ support  
team — available 24/7/365*



*See West Des Moines Valley High  
School's light shows in action.*

# Take Your Light Shows to the Next Level

With our Show-Light+™ entertainment package, you'll tap into advanced customization capabilities and more complex light shows that incorporate music along with the special effects lighting. The Show-Light+ system is easy to use and will provide an even more memorable game night experience.

Light and sound shows that mirror what's seen at the biggest and best professional stadiums.

The equipment you'll be supplied with, and the light shows it will deliver, are exactly the same as what we provide our NFL, MLB, NBA, and NHL customers.

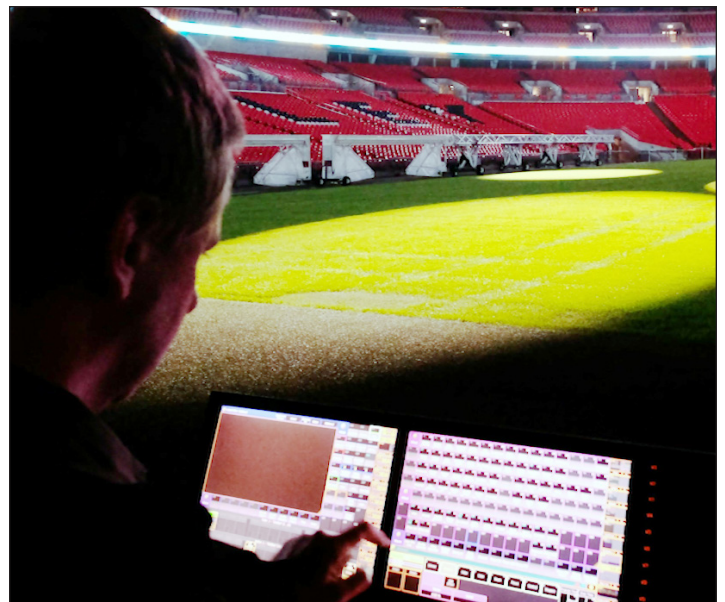
**Light and Sound . . .** in addition to the preprogrammed light shows from the base Show-Light package, you'll get three shows with lights synchronized to your music for an amazing visual and audio experience.

**Easy to Use . . .** for each light show Musco's design engineers will align lighting cues with audio files played through an on-site server, you just start and stop the shows with an easy-to-use touchscreen device.

**Streamlined Solution . . .** if you already have a DMX system, Show-Light+ equipment will act as a fully integrated extension of that system.



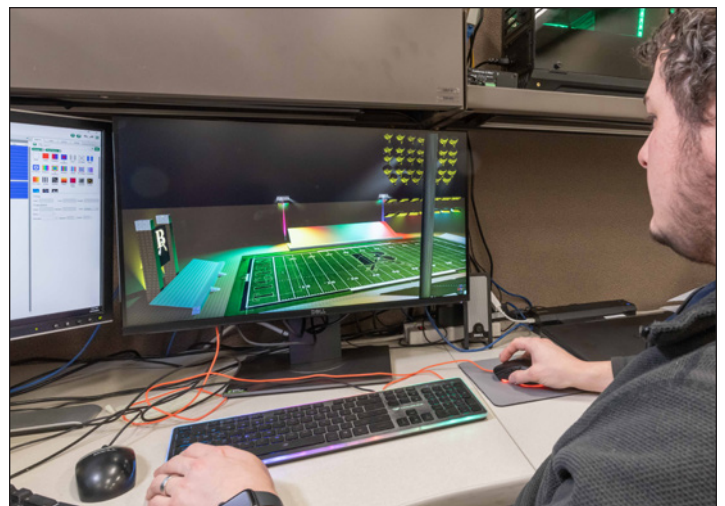
Musco's field lighting shows can interface with your separate controller for other show features, such as pyrotechnics.



Light shows are operated via an easy-to-use touchscreen.

*"The fan reaction has been great. I look for the lights to be as much of an entertainment vehicle as I do fireworks — seventh inning stretch, when we hit a home run, when we win the game. Everybody loves it, particularly when we make the lights flash and dance to the music."*

– Sam Bernabe, President & General Manager  
Iowa Cubs



Musco's light show programming specialists will custom time shows to your music.

## Show·Light+™ Entertainment Package

- ✓ **Remote on/off scheduling**  
for easy control from anywhere
- ✓ **Dimming** (3 levels)
- ✓ **System monitoring**  
saves energy for practice  
and other activities
- ✓ **Predesigned light shows**  
add excitement to events
- ✓ **Color accents**  
highlight poles and other structures
- ✓ **Custom-choreographed light shows**  
precisely timed to music

*Includes DMX controller and cue server*

*Includes Control-Link Central™ support  
team — available 24/7/365*



*See Southampton's light shows  
in action.*

# Innovative, Streamlined Communications Managed by Our Team 24/7/365

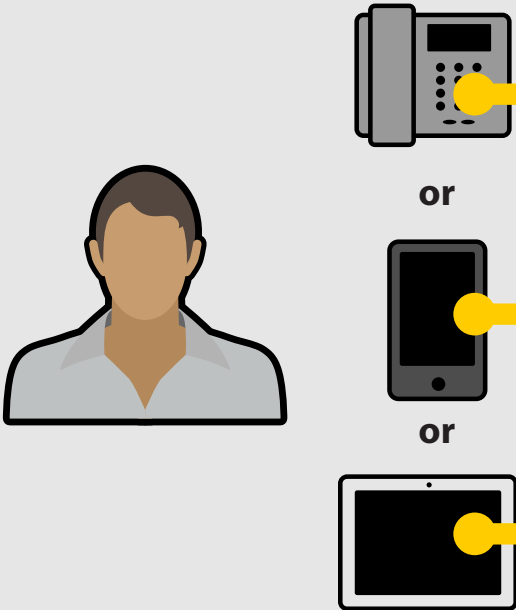
Each component of the Control-Link® system is designed, factory-built and tested for seamless operation and integration with your lighting system.

**Proven Technology, Innovated . . .** Musco's advanced powerline communication technology provides robust control and monitoring for the system.

**Reliable Installation and Operation . . .** no added communication cable installation costs. Lights may be scheduled remotely or operated manually on site with a key switch.

**Safety Features . . .** electricity is only on when the system is in use, with built-in fusing and surge protection.

**Monitoring and Support . . .** our Control-Link Central™ Team monitors your system 24/7/365 to ensure schedules execute and to provide assistance.



### 1) Enter schedules at your convenience

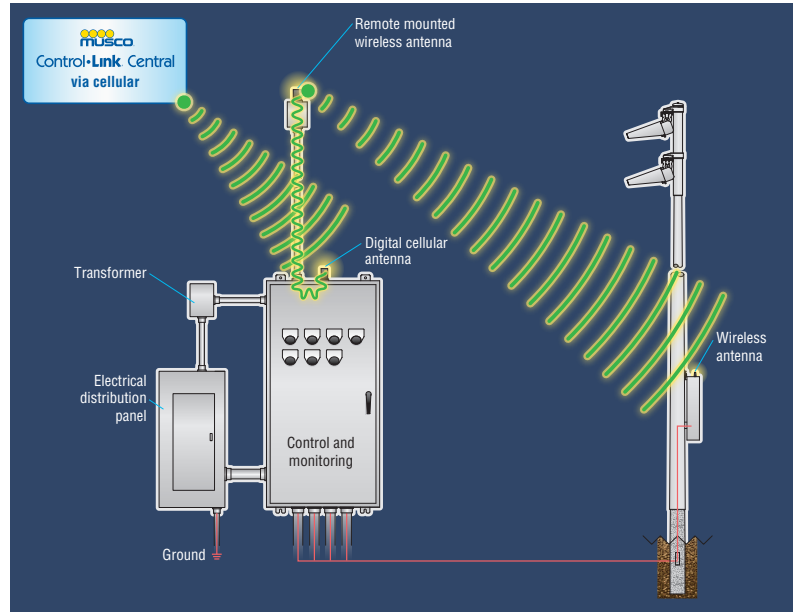
Based on security levels, users schedule field lighting and other equipment such as door locks, concession stands, and security lights from any location via website, smartphone app, or phone call.

### 2) Control-Link Central™ data center routes schedules, with 24/7/365 team member monitoring support

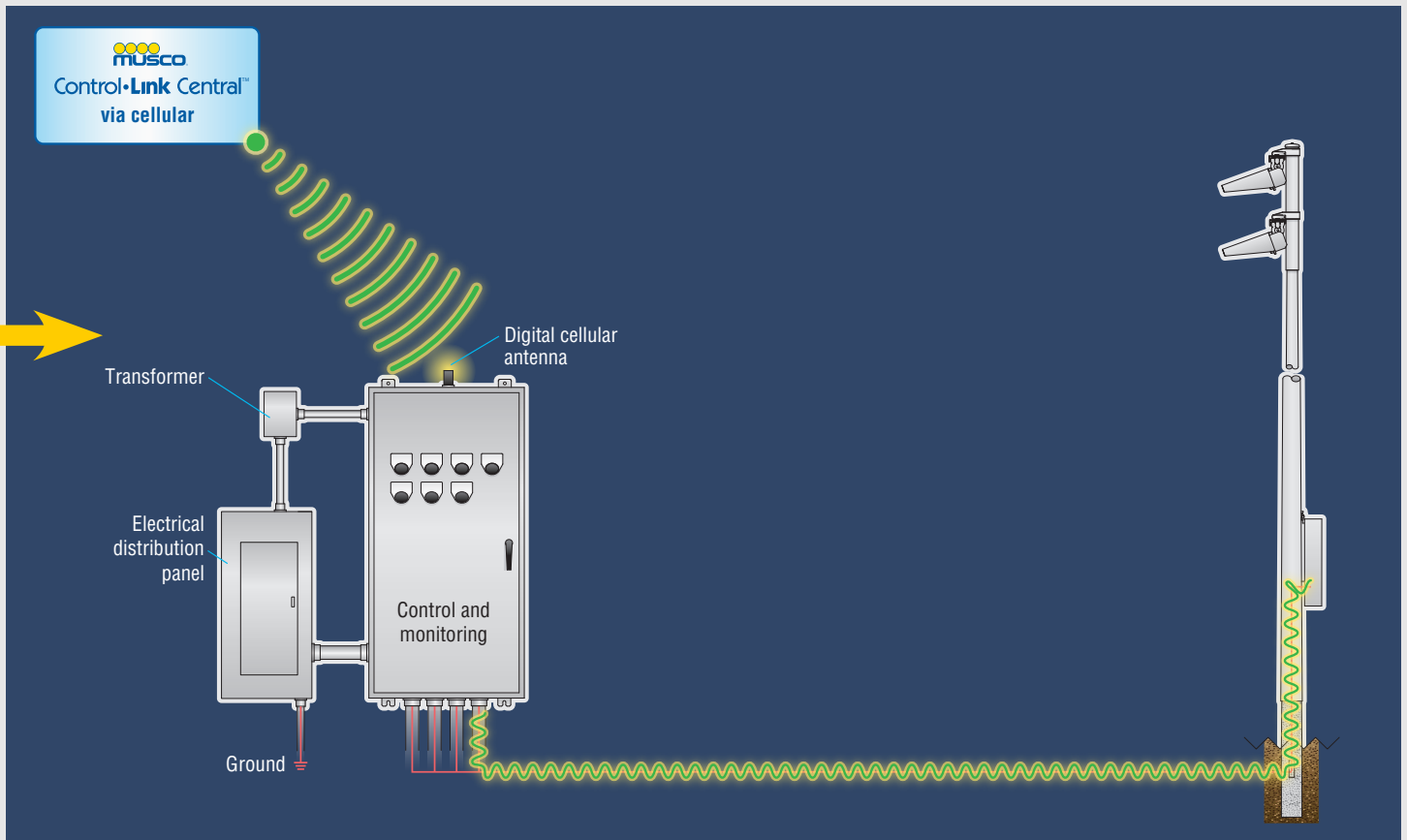
Schedules are received, routed to your site, and backed up at the Control-Link Central data center, where our staff provides scheduling support and verification, and monitors your lighting system operation.

## Wireless Communication

An optional wireless mesh network is available depending on your project requirements



## Powerline Communication System™ Uses supply wiring for control commands and monitoring feedback



### 3) Schedules are stored on-site

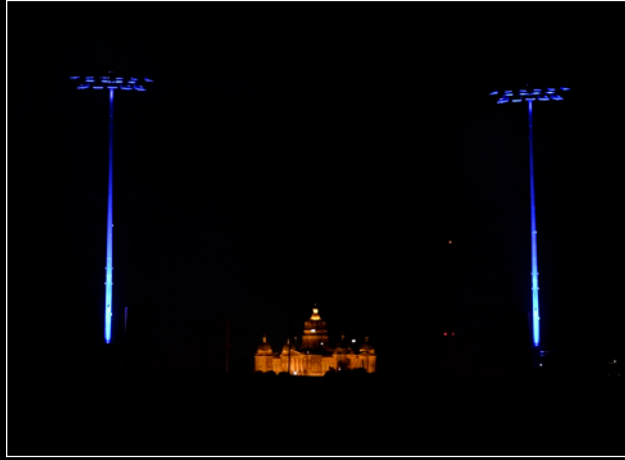
Schedules are transmitted to your facility via cellular technology and stored in the on-site equipment controller.

### 4) Equipment is controlled automatically with on-site show controls

Lights are operated per your schedules via Musco's Powerline Communication System technology. You can control optional Show-Light™ features with the on-site tablet.

### 5) Continuous monitoring

Entire system is monitored during operation and the Control-Link Central team is notified of any issues.

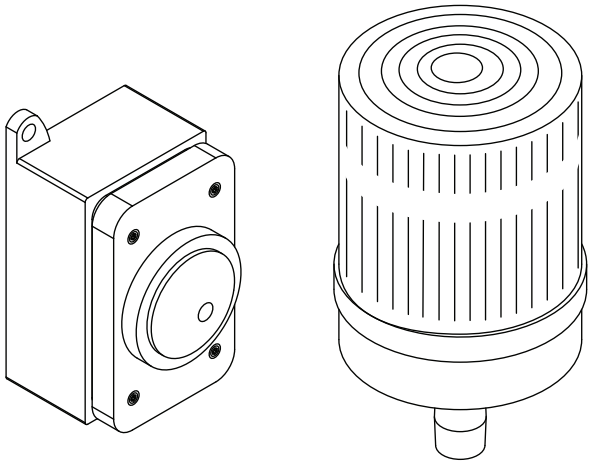


**Unequaled performance . . .  
for your budget, for the environment.**



**We Make It Happen<sup>®</sup>**

[www.musco.com](http://www.musco.com)  
e-mail: [lighting@musco.com](mailto:lighting@musco.com)



## Overview

Musco's player-activated control reduces energy use while allowing facility users instant access to lighted facilities. Lights remain in standby mode until activated locally. Adjustable timers allow you to determine the duration of full power operation.

## Features

### Control

- Push button control of lighting contactor cabinet or control and monitoring cabinet
- Adjustable timer from 6 minutes to 6 hours
- Included strobe alerts users of lighting cycle end
- Key switch override control

### Optional Control-Link. Control and monitoring system Support

- Schedule hours of available push button operation
- Control-Link Central™ service center provides support 24 hours a day, 7 days a week for scheduling, monitoring, and reporting
- Luminaire outage notification within the next business day
- Customized usage reports through website

## Technical Specifications

### Actuator Specs

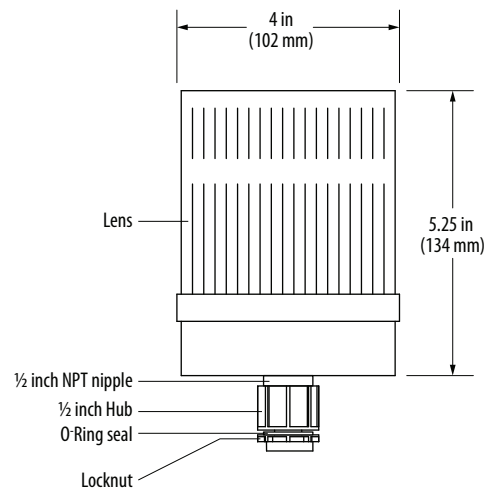
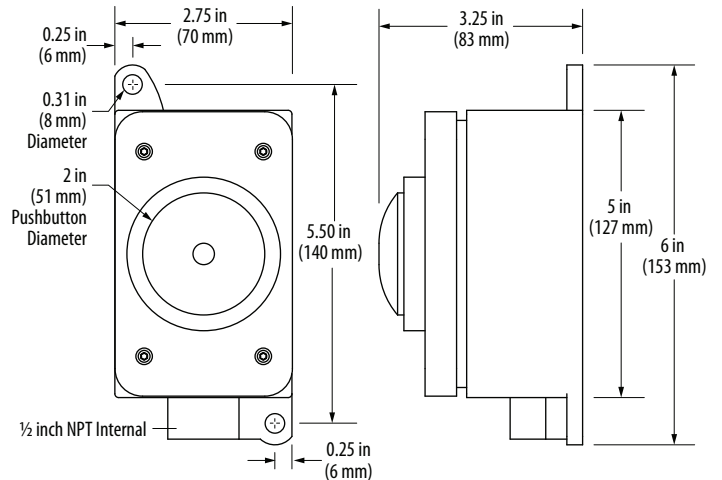
Current Rating .....	15 A (125 Vac)
Maximum cable length.....	300 ft (91.4 m)
Actuator .....	Stainless steel, machined
Housing .....	Malleable iron
Actuator color .....	Silver
Housing color.....	Gray
Bezel color.....	Black

### Strobe Specs

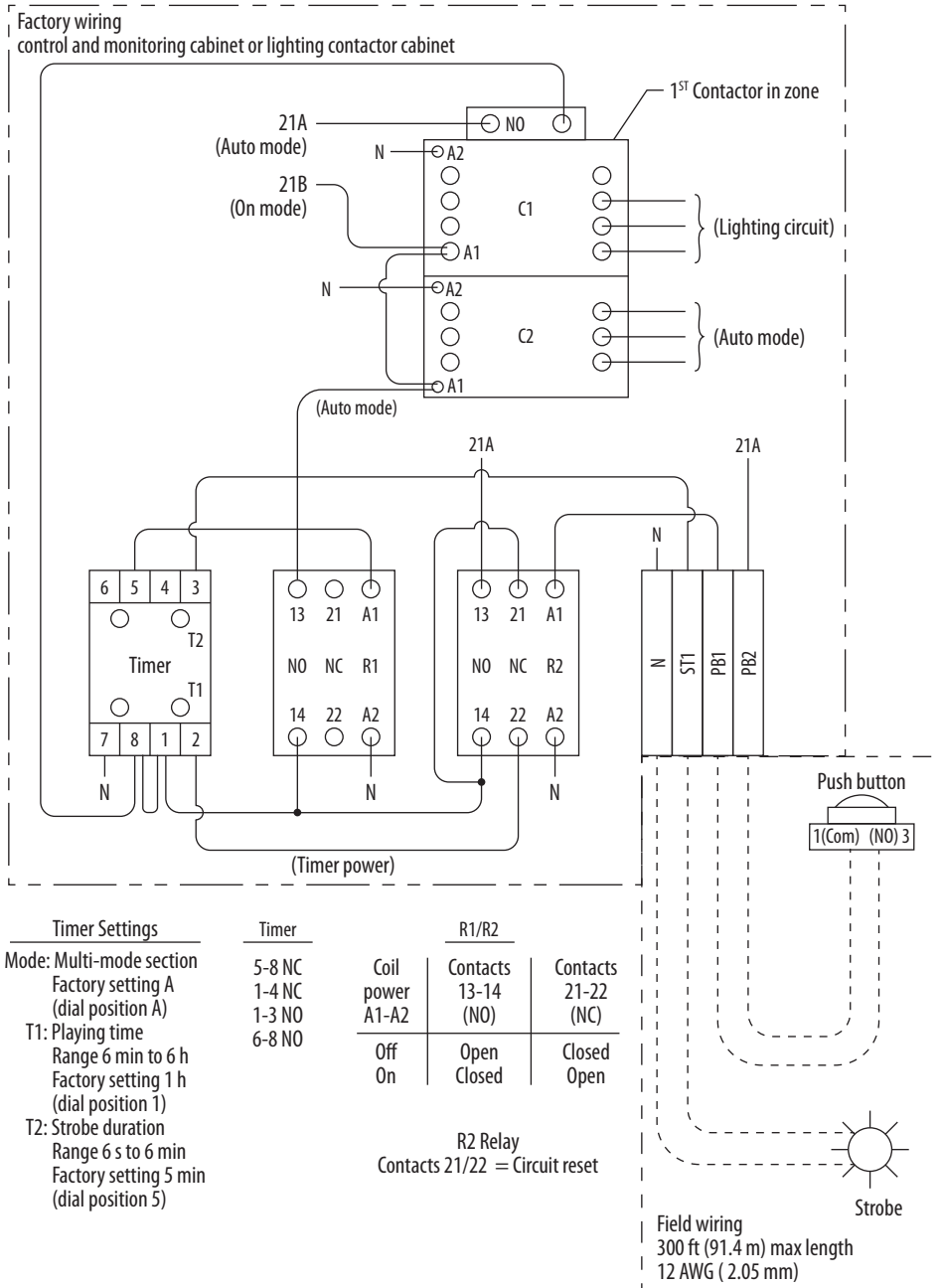
UL Listed .....	UL , cUL, CSA Certified
Ingress protection .....	IP66, IP69K
Operating temperature .....	-31°F to 150°F (-35°C to 66°C)
Operating voltage .....	120 - 240 Vac 50/60 Hz
Weight .....	.2 lb (0.91 kg)
Flash .....	Amber
Flash rate per minute.....	80
Luminous intensity, peak.....	1,000,000 cp
Luminous intensity, effective .....	300 cp

### Timer Specs

Cycle duration .....	6 min - 6 h
Strobe duration.....	6 s - 6 min
Operating temperature .....	-14°F to 122°F (-10°C to 50°C)
Operating voltage .....	120 - 240 Vac 50/60 Hz



# Datasheet: Player Activated Control



## **Operation**

### **Control-Link® Control and Monitoring System**

- Prepare field for player activated control by setting manual switch to auto position and scheduling desired available hours of operation using Control-Link Central™ scheduling tools
- Scheduled operation enables player activated circuit
- Players push button to activate lighting for preset timing cycle
- End of timing cycle activates strobe for preset time, warning players of lighting cycle end
- Players push button to extend lighting for an additional cycle or lights extinguish as cycle ends

### **Lighting Contactor Cabinet**

- Prepare field for player activated control using manual switch, photocell, or timeclock
- Players push button to activate lighting for preset timing cycle
- End of timing cycle activates strobe for preset time, warning players of lighting cycle end
- Players push button to extend lighting for an additional cycle or lights extinguish as cycle ends

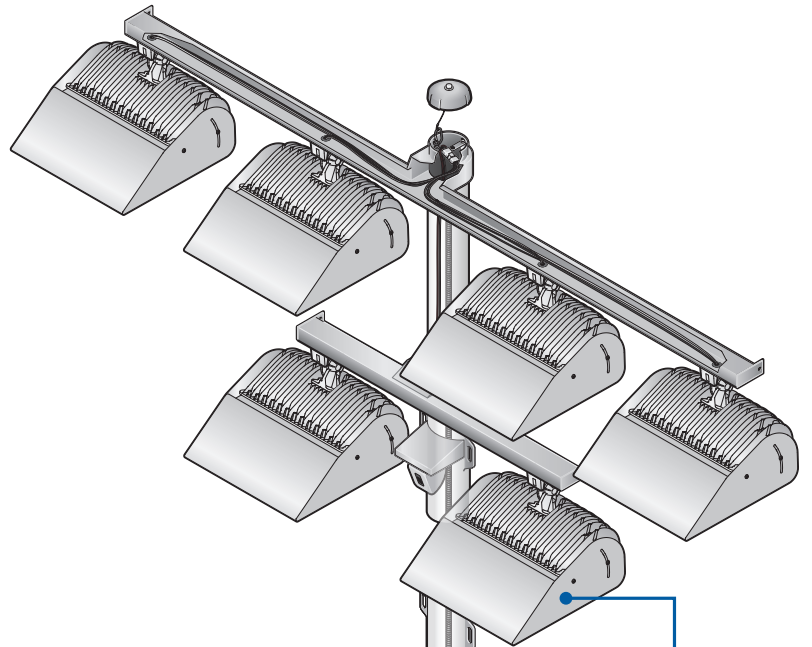
# Light·Structure Green™ System

For your  
**BUDGET,**  
for the  
**ENVIRONMENT.**

## 5 Easy Pieces™ Complete System from Foundation to Poletop

- Factory wired, aimed, and tested
- Fast, trouble-free installation
- Comprehensive corrosion package
- Integrated lightning ground system

Diode Light Source – LED



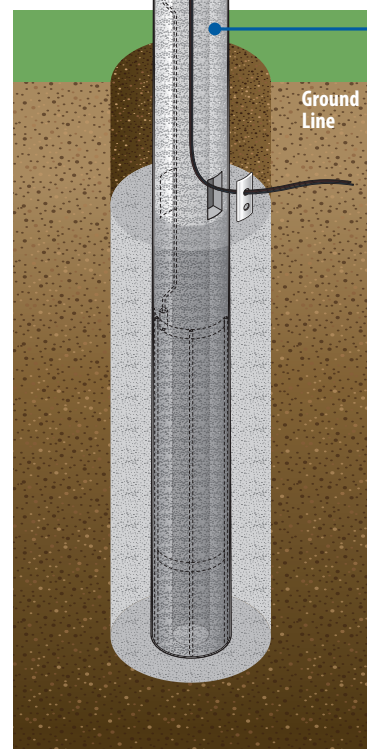
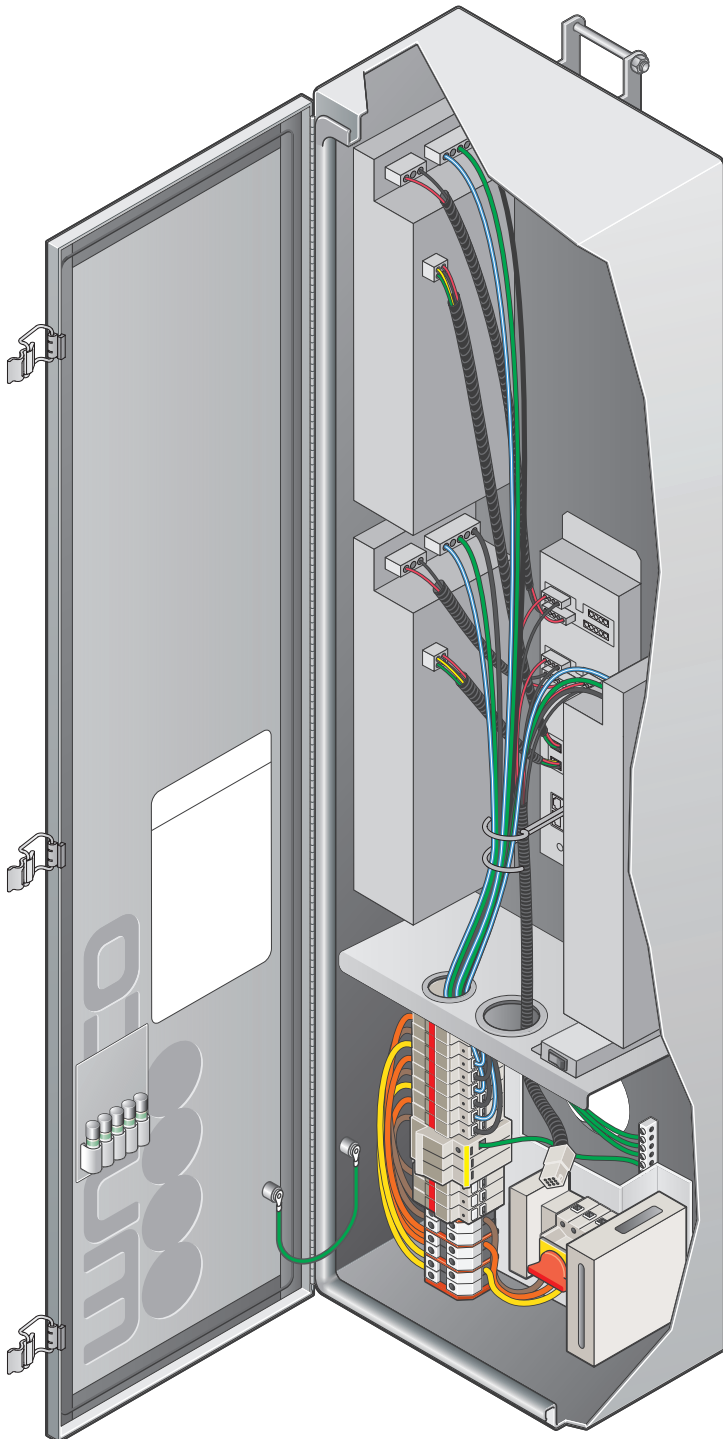
5  
Poletop  
Luminaire  
Assembly

4  
Wire  
Harness

3  
Electrical  
Components  
Enclosure

2  
Galvanized  
Steel Pole

1  
Precast  
Concrete  
Base



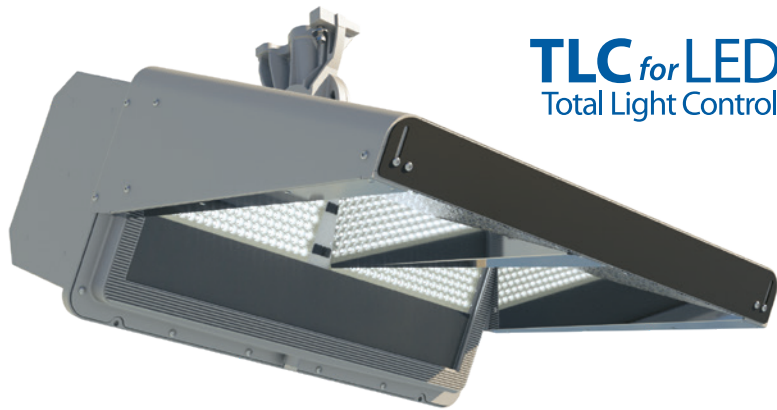
All you add is  
concrete backfill,  
underground wiring,  
and a service entrance

# Light·Structure System™

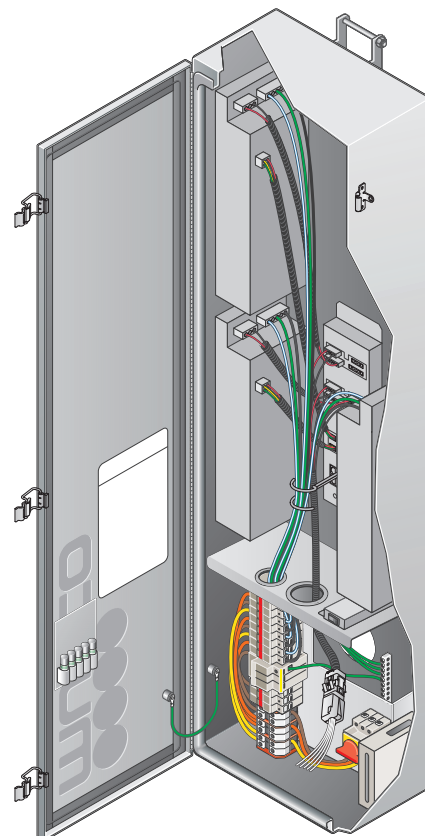
## 5 Easy Pieces™

Complete System from  
Foundation to Poletop

LED Light Source



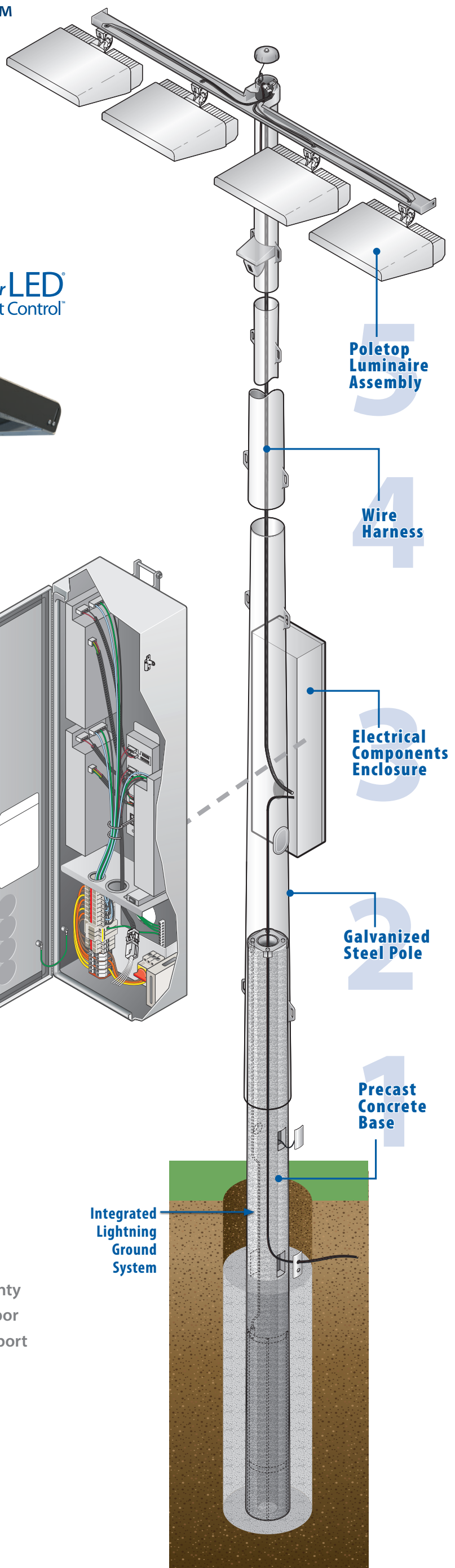
**TLC for LED**  
Total Light Control™



All components designed to work together . . .  
factory built, wired, aimed, and tested  
to assure reliable, trouble-free operation

Covered by a 25-year product assurance and warranty  
program with guaranteed light levels, parts and labor  
for maintenance, system monitoring, and 24/7 support  
from our Control-Link Central™ service center.

For your  
**BUDGET,**  
for the  
**ENVIRONMENT.**



**Watertown Recreation Department  
Field and Court Lighting – Historical and Guidelines – 2018**

This document was updated in 2019 to reflect the addition of the Filippello basketball, futsal and pickleball court

Thanks to the recommendation and perseverance of the Recreation Department and the support and approval of the Town Manager and Town Council, many old, antiquated electrical boxes, which controlled many of the field and court lighting, were demolished and new control cabinets with MUSCO Control link were installed similar to the technology utilized extensively for the Victory Field Turf Field.

Below is a list of the fields and courts in alphabetical order which has a lighting system in place. Although most facilities have consistent guidelines, some have unique guidelines to fit the historical use of the field /court and to allow use by non permitted time as the Department of Conservation and Recreation, City of Boston and other municipalities does. This philosophy encourages active, healthy, social and fun time under the lights on an informal basis.

**Casey Park Basketball, Multipurpose, and Tennis Courts:**

Lights are turned on according to the sunset minus ½ rules (weather permitting) and there is a hard stop at 10:00PM.

**Casey Baseball Field:**

If the field is permitted, lights are turned on according to the sunset minus ½ rule (weather permitting) and there is a hard stop 15 minutes after the permit ends with the maximum end time of 10:00.

**Filippello Park Basketball, Futsal and Pickleball Courts:**

Lights are turned on according to the sunset minus ½ rules (weather permitting) and there is a hard stop at 10:00PM.

**Filippello (Arlington Grove) Multipurpose / Softball Field:**

If the field is permitted, lights are turned on according to the sunset minus ½ rule (weather permitting) and there is a hard stop 15 minutes after the permit ends.

Historically, this field has been allowed to have the lights on until 10:15 if the field is permitted until 10:00. This allows safe exit from the field for participants, and spectators.

**Moxley Basketball and Tennis Courts:**

Unfortunately the control system for these lights have not been modernized and do not have the Musco Control link system and therefore cannot be controlled remotely. The DPW Parks Department sets a dial for the lights to shut down at 10:00, but is not exact and does not automatically respond to changes in the sunset time.

**Saltonstall Field:**

If the field is permitted, lights are turned on according to the sunset minus ½ rule (weather permitting) and there is a hard stop 15 minutes after the permit ends with the maximum end time of 10:00.

**Saltonstall Basketball Court:**

Lights are turned on according to the sunset minus ½ rules (weather permitting) and there is a hard stop at 10:00PM. The exception is when the men's summer basketball league is in season and the lights could be on until 10:15

The basketball court lights that are located on the Boy's and Girls Club are manually turn on and off by the recreation staff during the season.

**Victory Field Basketball and Tennis Courts:**

Unfortunately the control system for these lights have not been modernized and do not have the Musco Control link system and therefore cannot be controlled remotely. The DPW Parks Department sets a dial for the lights to shut down at 10:00, but is not exact and does not automatically respond to changes in the sunset time.

### **Victory (Artificial Turf Field)**

The Victory Field Artificial Field is used every day during the months of March through November (weather permitting). If the weather is conducive and the field is clear, the turf field is open for use during the winter months as well on a daily basis.

Because of the artificial surface, the facility is used during inclement weather (other than electrical storms) by non-permitted and permitted users. Most of the use is by permitted users during the spring, summer and fall months, but the field is used by many non permitted users as well. We welcome and support their use, is certainly appreciated by our residents and heavily used well into the night.

For these and other reasons, the field lights are turned on according to the sunset minus ½ rule and there is a hard stop at 10:00, unless the permit is scheduled until 10:00. Historically, this field has been allowed to have the lights on until 10:15 if the field is permitted until 10:00. This allows safe exit from the field for participants, and spectators.

We sometimes have a Park Ranger scheduled to supervise the facility based on availability. If towards the end of the night, 9:30 or so, it is clear that no one will be using the field we have and will shut the field down early.

Facility Name/Field	ON/OFF Buttons	LED (Y/N?)	Scheduler	Schedule Notes
<b>Arsenal Park</b>				
Basketball	X	Y		
Skatepark	X	Y		
Tennis	X	Y		
<b>Casey Park</b>				
Baseball Center Field				
Baseball Field				
Basketball Courts				
Hockey & Tennis Courts				
<b>Filippello Park</b>				
Multipurpose Courts		Y		
Multipurpose Field - Arlington		Y		
Multipurpose Field - Grove		Y		
Softball Full Field		Y		
Softball Infield		Y		
<b>Moxley Park</b>				
Tenni Courts	X	Y		
Basketball Court	X	Y		
Multi-purpose Rink	X	Y		
<b>Saltonstall Park</b>				
Baseball		Y		
Basketball (override)	X	Y		
Basketball (player Activated)	X	Y		
Basketball Court	X	Y		
<b>Victory Complex</b>				
Baseball Turf Field				
Basketball & Tennis Courts				
Multipurpose Turf Field				